

Rear Window

701.54

Page 70-19

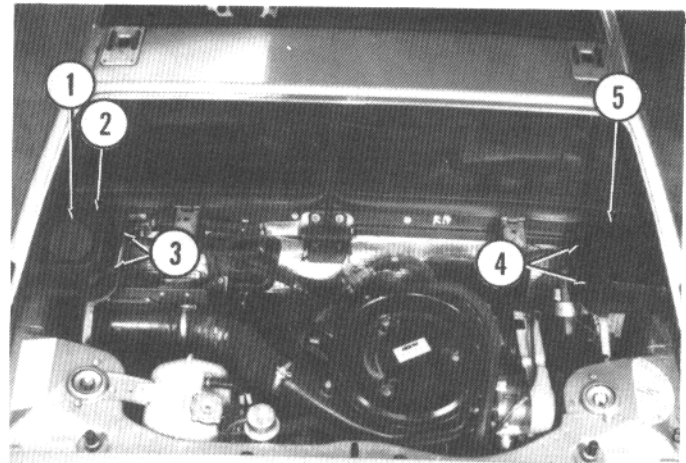
REMOVAL AND INSTALLATION

Remove engine compartment lid. Refer to 701.01.

Remove gas cap (1).

Remove four screws (3 and 4) and washers holding two covers (2 and 5) to body and remove covers.

1. Gas cap 2. Cover 3. Screws 4. Screws 5. Cover



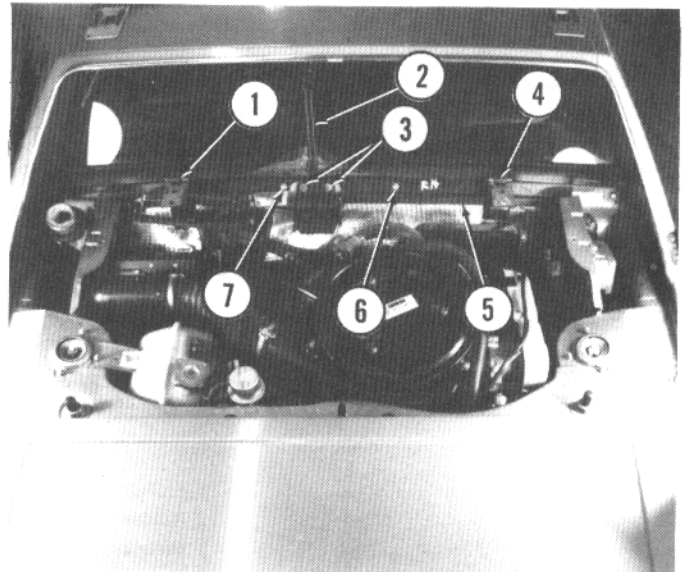
Disconnect one rear window heater wire from each side of window.

Remove four bolts (3) and washers holding prop (2) to body and remove prop.

Remove four nuts and washers holding hinges (1 and 4) to body and remove hinges.

Remove six bolts (6 and 7) and washers holding weatherstrip (5) to body and remove weatherstrip.

1. Hinge 2. Prop 3. Bolts 4. Hinge 5. Weatherstrip
6. Bolt 7. Bolt



Pull rubber seal (2) around window towards center of window (1).

Slide seal out from under window at edge.

Pull window down. Remove top rubber seal. Remove window.

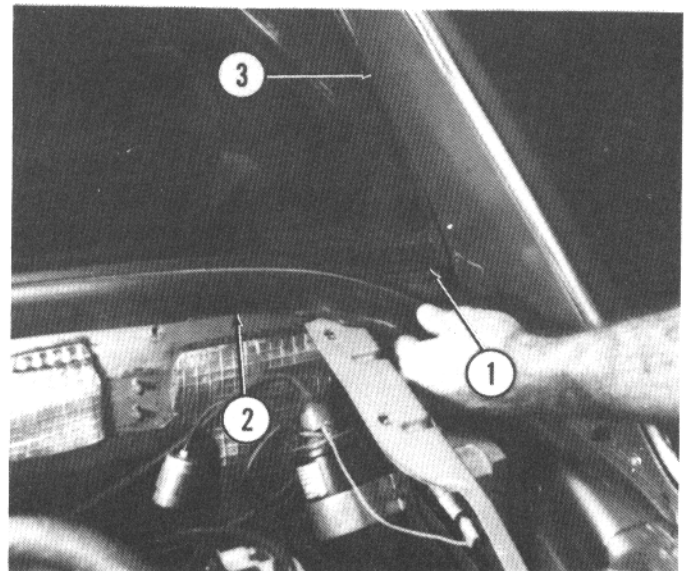
To install, place rubber seal on top of window.

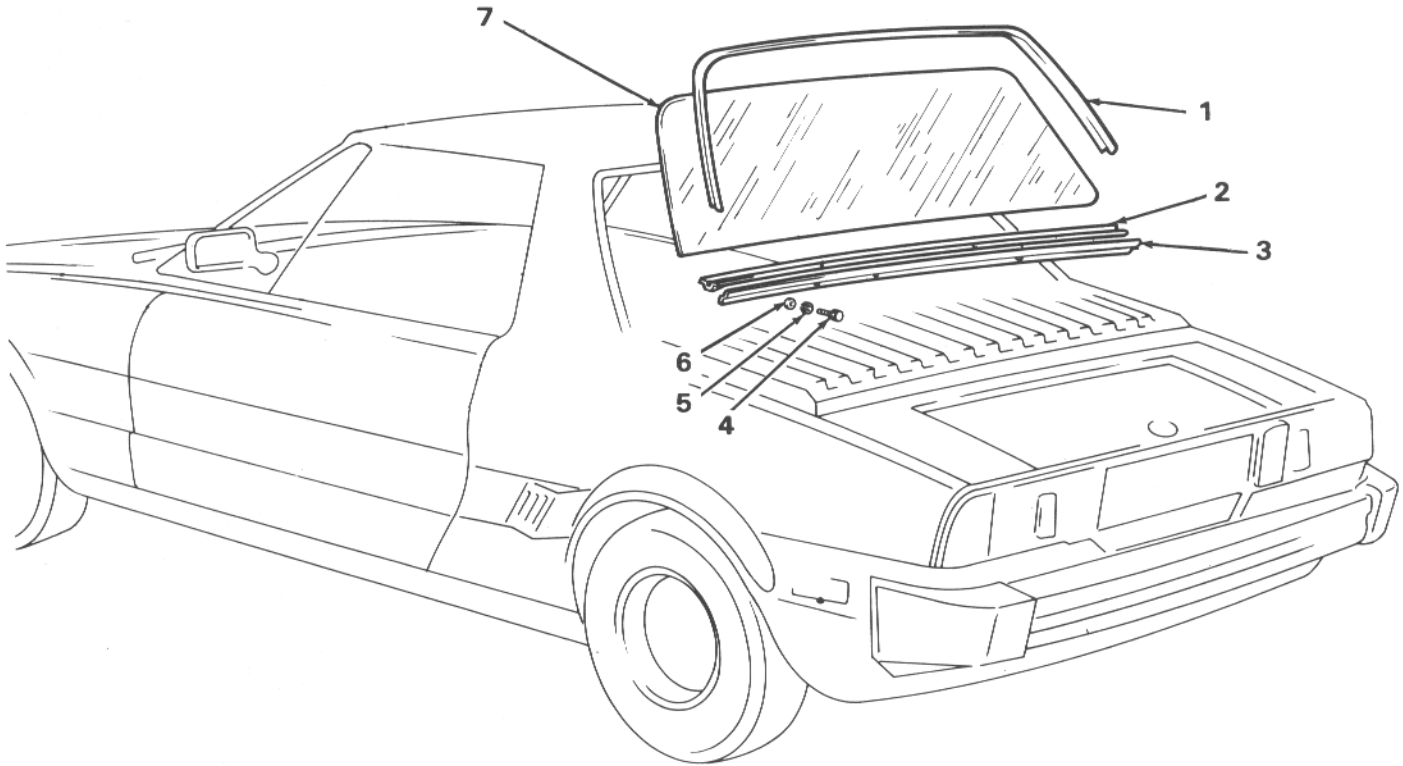
Place window in frame (3) and push it up into place.

Slide rubber seal (2) under window. Make sure window is in center of seal and seal overlaps frame.

Reverse removal procedure to complete installation.

1. Rear window 2. Rubber seal 3. Frame





- | | |
|-----------------|---------------|
| 1. Frame | 5. Lockwasher |
| 2. Rubber seal | 6. Washer |
| 3. Weatherstrip | 7. Window |
| 4. Bolt | |

EXPLODED VIEW OF REAR WINDOW COMPONENTS

Rear Window

701.54

Page 70-19

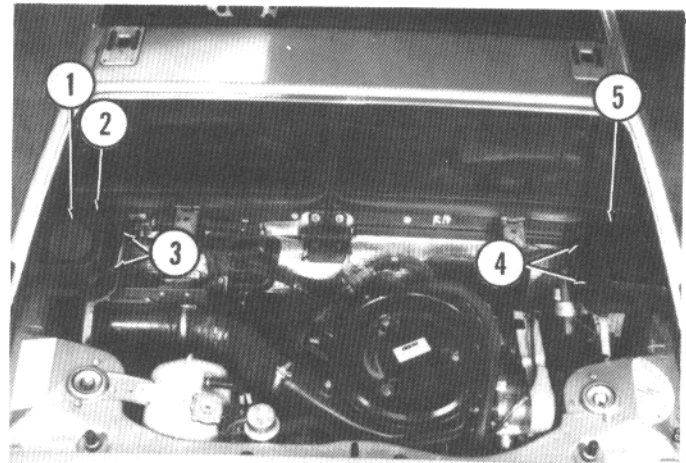
REMOVAL AND INSTALLATION

Remove engine compartment lid. Refer to 701.01.

Remove gas cap (1).

Remove four screws (3 and 4) and washers holding two covers (2 and 5) to body and remove covers.

1. Gas cap 2. Cover 3. Screws 4. Screws 5. Cover



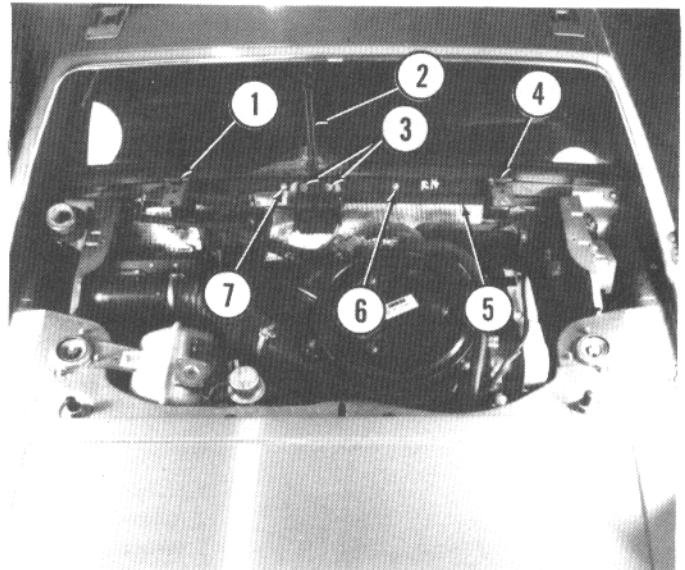
Disconnect one rear window heater wire from each side of window.

Remove four bolts (3) and washers holding prop (2) to body and remove prop.

Remove four nuts and washers holding hinges (1 and 4) to body and remove hinges.

Remove six bolts (6 and 7) and washers holding weatherstrip (5) to body and remove weatherstrip.

1. Hinge 2. Prop 3. Bolts 4. Hinge 5. Weatherstrip
6. Bolt 7. Bolt



Pull rubber seal (2) around window towards center of window (1).

Slide seal out from under window at edge.

Pull window down. Remove top rubber seal. Remove window.

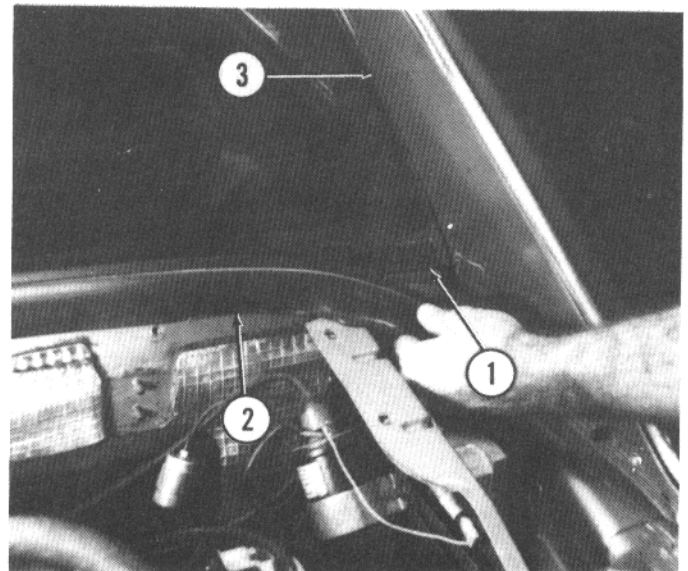
To install, place rubber seal on top of window.

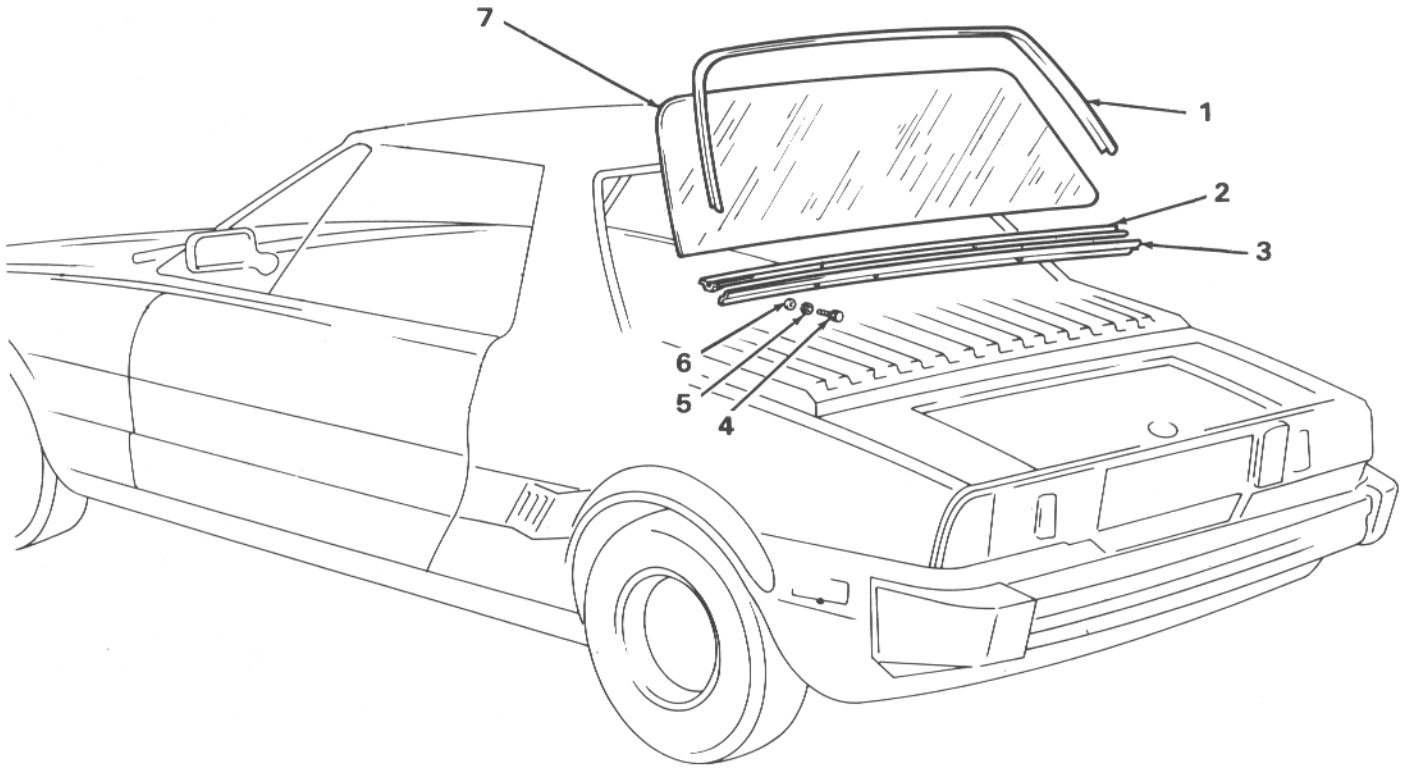
Place window in frame (3) and push it up into place.

Slide rubber seal (2) under window. Make sure window is in center of seal and seal overlaps frame.

Reverse removal procedure to complete installation.

1. Rear window 2. Rubber seal 3. Frame





- | | |
|-----------------|---------------|
| 1. Frame | 5. Lockwasher |
| 2. Rubber seal | 6. Washer |
| 3. Weatherstrip | 7. Window |
| 4. Bolt | |

EXPLODED VIEW OF REAR WINDOW COMPONENTS

Luggage Compartment Lids

701.60

Page 70-21

FRONT LUGGAGE LID

REMOVAL, INSTALLATION AND ADJUSTMENT

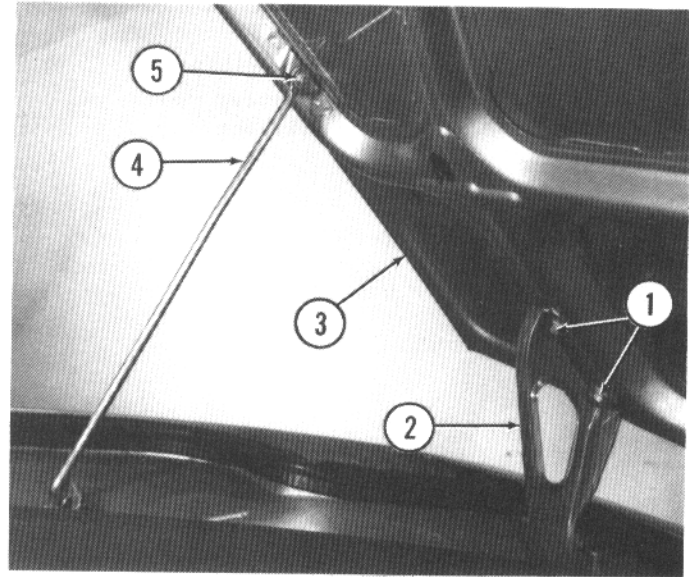
Remove four bolts (1) and washers holding lid (3) to hinges (2).

Remove nut (5) and washers holding support rod (4) to lid. Remove lid.

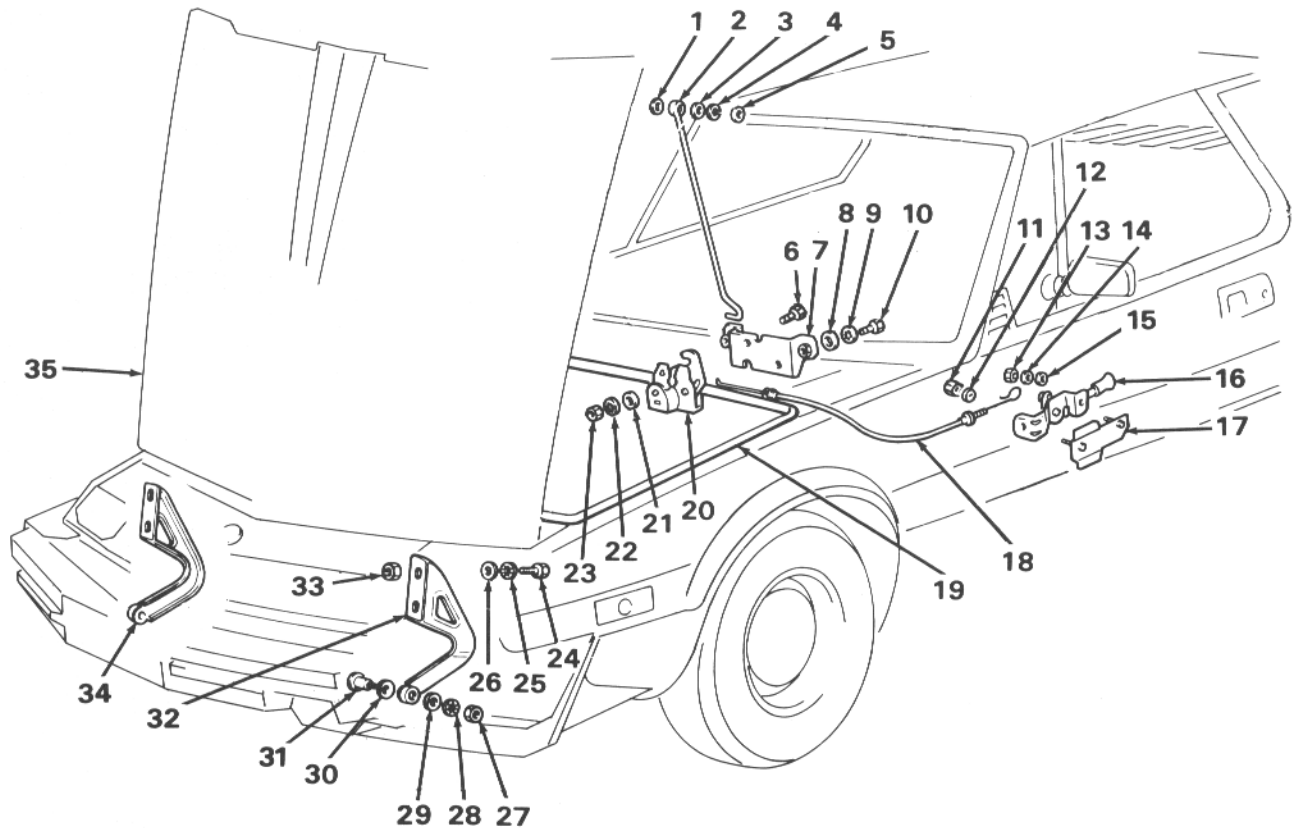
When installing lid, tighten hinge bolts enough to permit lid to be shifted.

Close lid and check for proper alignment. Shift lid as necessary. After lid is positioned properly, tighten bolts.

Install support rod.



1. Bolts 2. Hinge 3. Luggage lid 4. Support rod 5. Nut



- | | | | | |
|------------------|------------|---------------------|----------------|------------|
| 1. Spring washer | 8. Washer | 15. Washer | 22. Lockwasher | 29. Washer |
| 2. Rod | 9. Washer | 16. Handle assembly | 23. Nut | 30. Washer |
| 3. Washer | 10. Bolt | 17. Bracket | 24. Bolt | 31. Bolt |
| 4. Lockwasher | 11. Nut | 18. Cable | 25. Lockwasher | 32. Hinge |
| 5. Nut | 12. Washer | 19. Rubber seal | 26. Washer | 33. Nut |
| 6. Bolt | 13. Nut | 20. Latch | 27. Nut | 34. Hinge |
| 7. Bracket | 14. Washer | 21. Washer | 28. Lockwasher | 35. Lid |

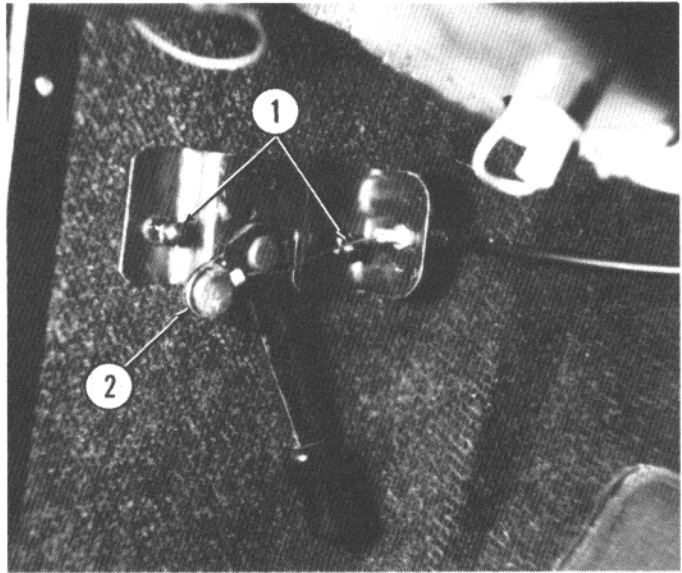
EXPLODED VIEW OF FRONT LUGGAGE LID COMPONENTS

FRONT LUGGAGE LID LATCH**REMOVAL, INSTALLATION AND ADJUSTMENT**

To provide slack in cable for latch removal, remove two cap nuts (1) and washers holding handle assembly (2) to body.

Separate handle assembly from body.

1. Cap nuts 2. Handle assembly

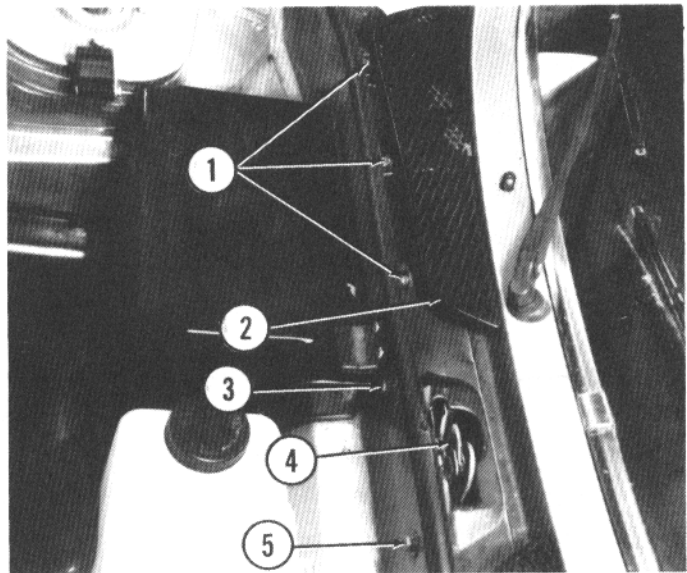


Remove four screws (1) and bolt holding grille (2) on right side of vehicle.

Remove two bolts (3 and 5) and washers holding latch (4) to cowl.

Maneuver latch out through grille opening.

1. Screws 2. Grille 3. Bolt 4. Latch 5. Bolt



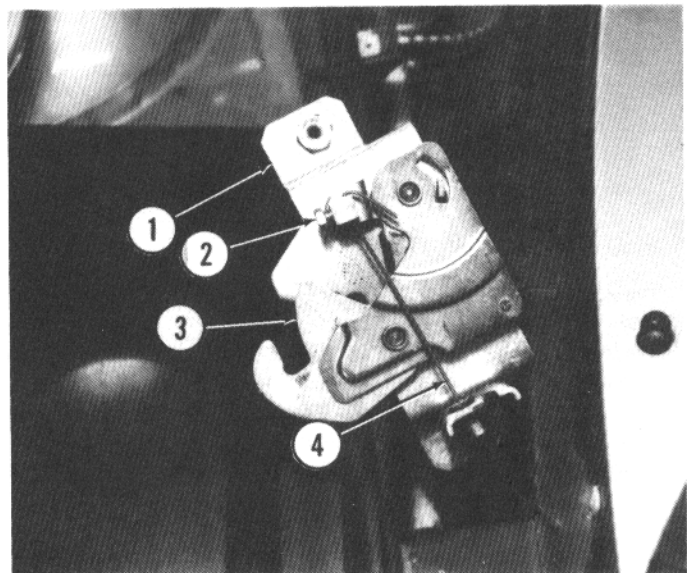
Loosen bolt (2) attaching cable (4) to latch (3) and disconnect cable.

Remove two bolts holding latch to bracket (1) and remove latch.

When installing, tighten bolts enough to allow lock to be shifted. Check lock operation and shift lock as needed. Tighten two bolts.

Reverse removal procedure to complete installation.

1. Bracket 2. Bolt 3. Latch 4. Cable



Luggage Compartment Lids

701.60

Page 70-23

REAR LUGGAGE LID

REMOVAL, INSTALLATION AND ADJUSTMENT

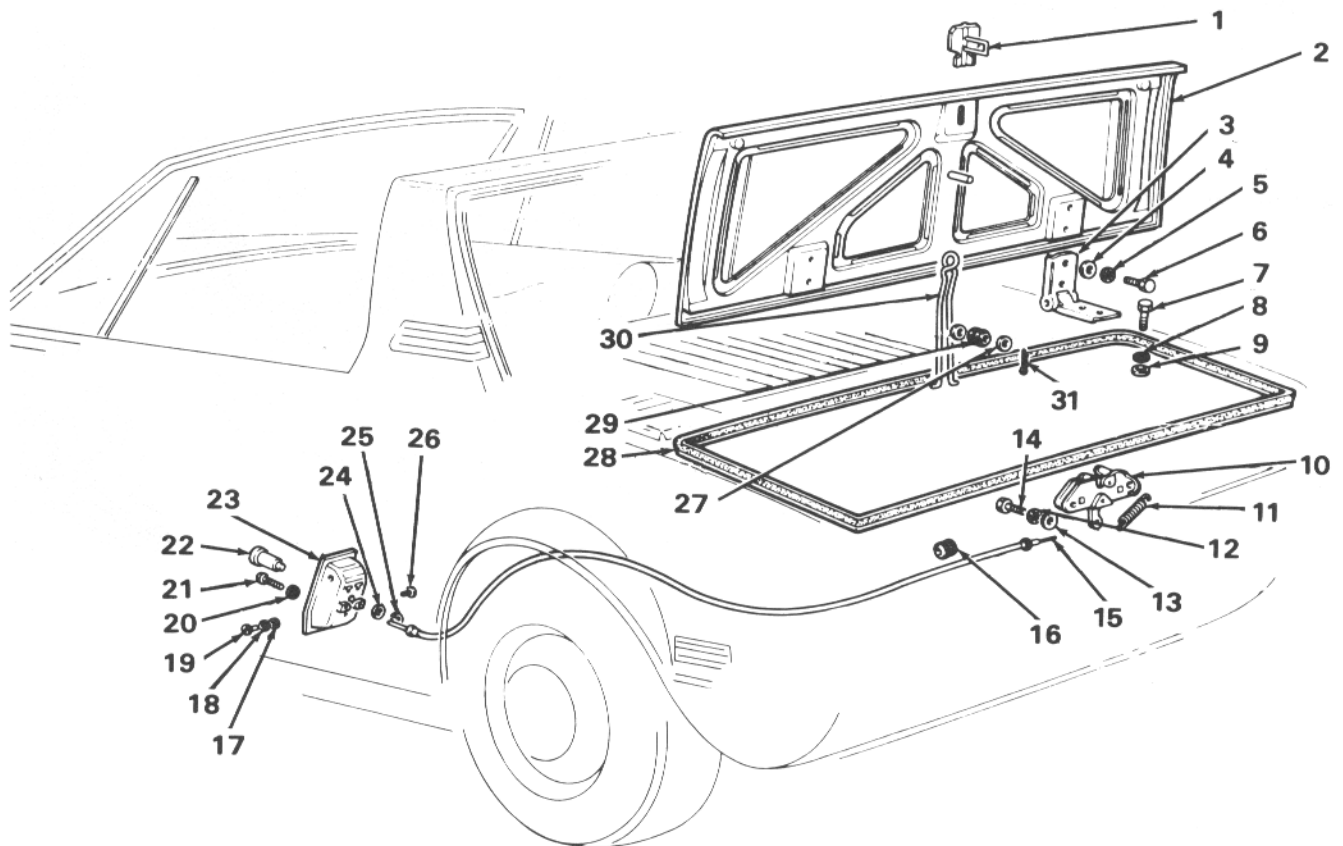
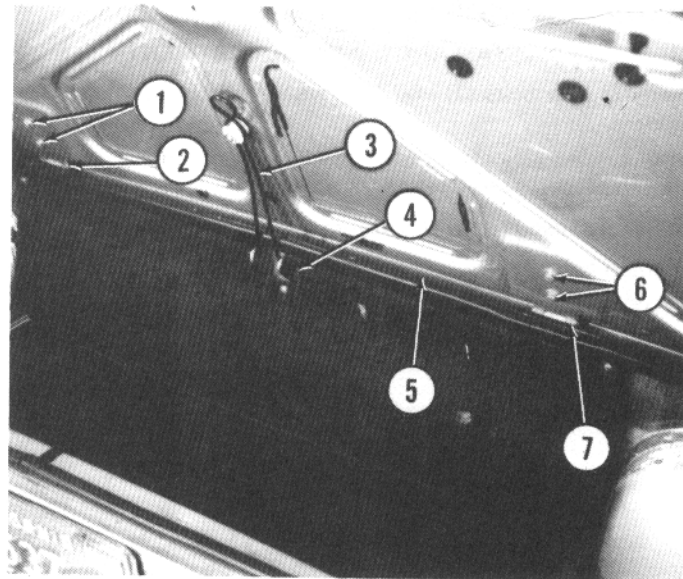
Remove four bolts (1 and 6) holding lid (5) to hinges (2 and 7).

Unhook prop (3) from bracket (4) and remove lid.

Remove prop, cotter pin, washers and bushing.

When installing lid, check position. Shift lid on hinges to obtain proper alignment. Tighten bolts holding lid to hinges.

1. Bolts 2. Hinge 3. Prop 4. Bracket 5. Lid 6. Bolts 7. Hinge



- | | | | | |
|------------------|----------------|-----------------|-------------------|------------------|
| 1. Striker plate | 7. Bolt | 13. Washer | 19. Screw | 25. Fork |
| 2. Lid | 8. Lockwasher | 14. Bolt | 20. Lockwasher | 26. Screw |
| 3. Hinge | 9. Washer | 15. Cable | 21. Screw | 27. Washer |
| 4. Washer | 10. Latch | 16. Rubber ring | 22. Lock cylinder | 28. Weatherstrip |
| 5. Lockwasher | 11. Spring | 17. Washer | 23. Lock assembly | 29. Bushing |
| 6. Bolt | 12. Lockwasher | 18. Lockwasher | 24. Washer | 30. Prop |
| | | | | 31. Pin |

EXPLODED VIEW OF REAR LUGGAGE COMPARTMENT LID COMPONENTS

REAR LUGGAGE LID LATCH

REMOVAL, INSTALLATION AND ADJUSTMENT

Remove two bolts (2) and four washers holding latch (1) to body.

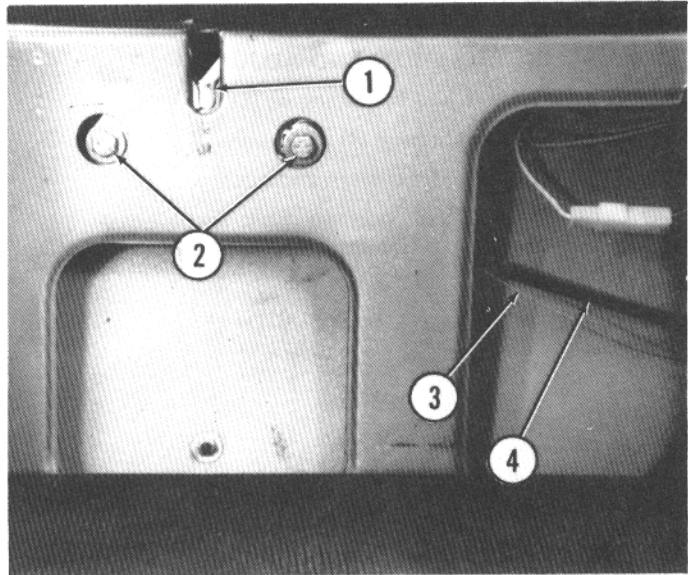
Disconnect cable (4) from latch. Disconnect emergency cable (3) from latch. Remove latch.

When installing latch, position it for proper operation.

Tighten two bolts.

NOTE: Release pull for emergency cable is in engine compartment.

1. Latch 2. Bolts 3. Emergency cable 4. Cable



REAR COMPARTMENT LOCK ASSEMBLY

REMOVAL AND INSTALLATION

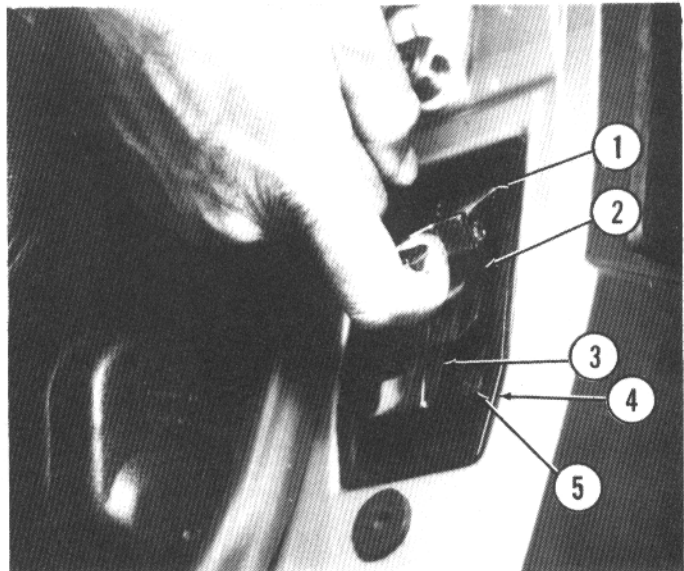
Disconnect cables from engine compartment lid latch and rear luggage lid latch.

Disconnect cables (2) from levers (1 and 3).

Remove screw (5) holding lock assembly (4) in door frame. Remove lock assembly.

Install in reverse order.

1. Lever 2. Cable 3. Lever 4. Lock assembly 5. Screw



Front and Rear Bumpers

703.06/07

Page 70-25/26

FRONT BUMPER

REMOVAL AND INSTALLATION

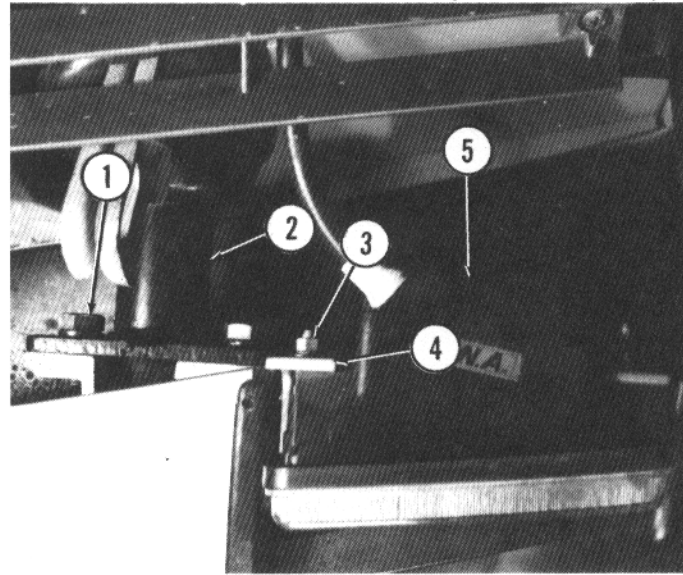
Remove four nuts (3) and washers holding parking/hazard lights (5) to brackets (4).

Separate lights from brackets.

Remove four bolts (1) and washers holding front bumper to shock absorbers (2). Remove bumper.

Install in reverse order.

1. Bolt 2. Shock absorber 3. Nut 4. Bracket 5. Light assembly



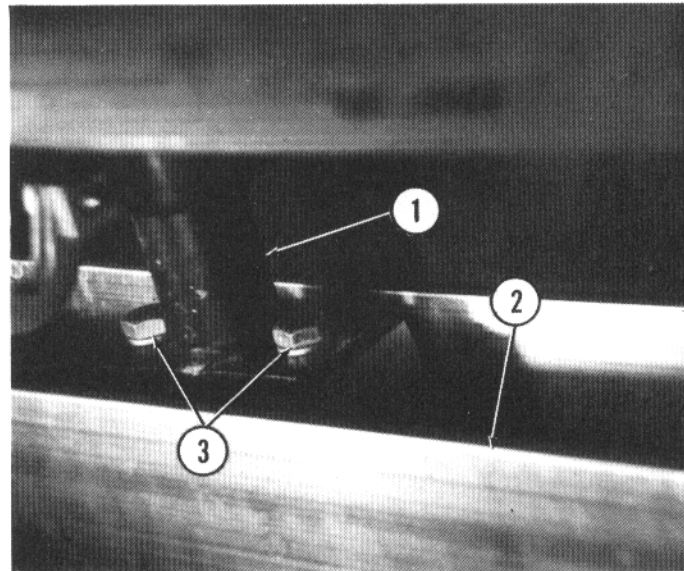
REAR BUMPER

REMOVAL AND INSTALLATION

Remove four bolts (3) and washers holding bumper (2) to shock absorbers (1). Remove bumper.

Install in reverse order.

1. Shock absorber 2. Bumper 3. Bolts



REMOVAL AND INSTALLATION

Disconnect spring (1) from bracket (2) under seat (4).

Raise lever. Slide seat off floor tracks (3).

Install in reverse order.

1. Spring 2. Bracket 3. Track 4. Seat

