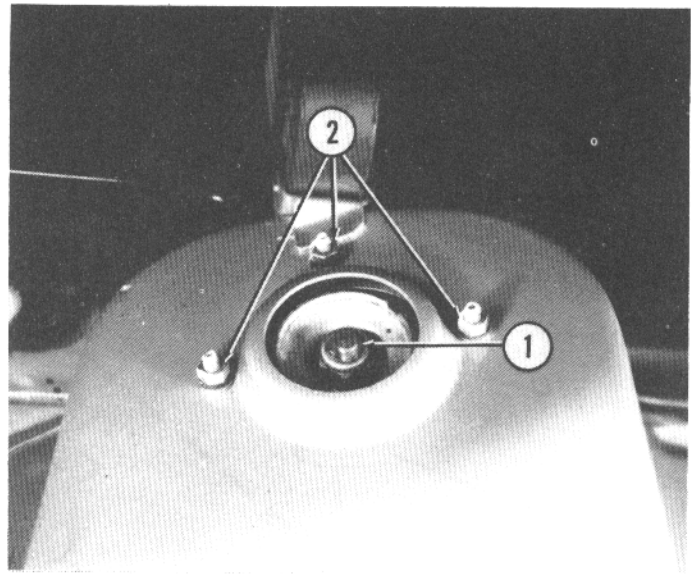


STRUT ASSEMBLY

REMOVAL AND INSTALLATION

Remove three nuts (2) and washers holding strut assembly (1) at top.

1. Strut assembly 2. Nuts.

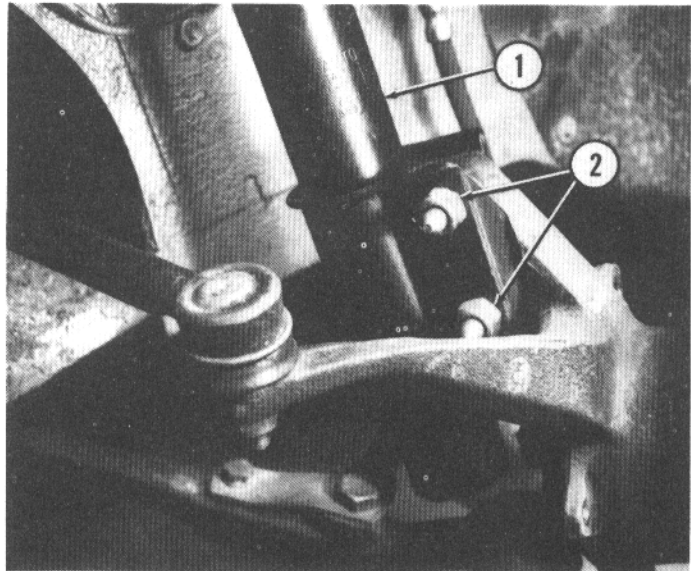


Remove two nuts (2) and bolts attaching strut assembly (1) to suspension.

Remove strut assembly from vehicle.

Install in reverse order. Torque upper mount nuts to 7 ft. lbs. (1 kgm) and lower mount nuts to 43 ft. lbs. (6 kgm).

1. Strut assembly 2. Nuts

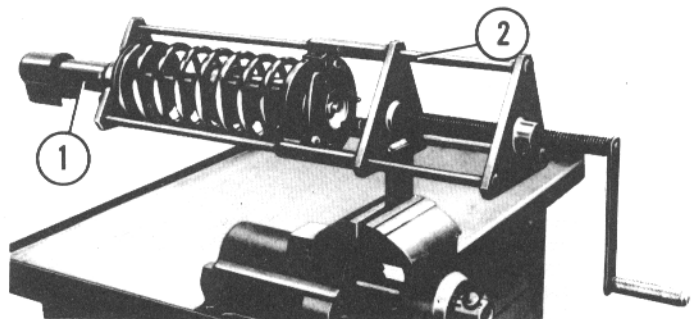


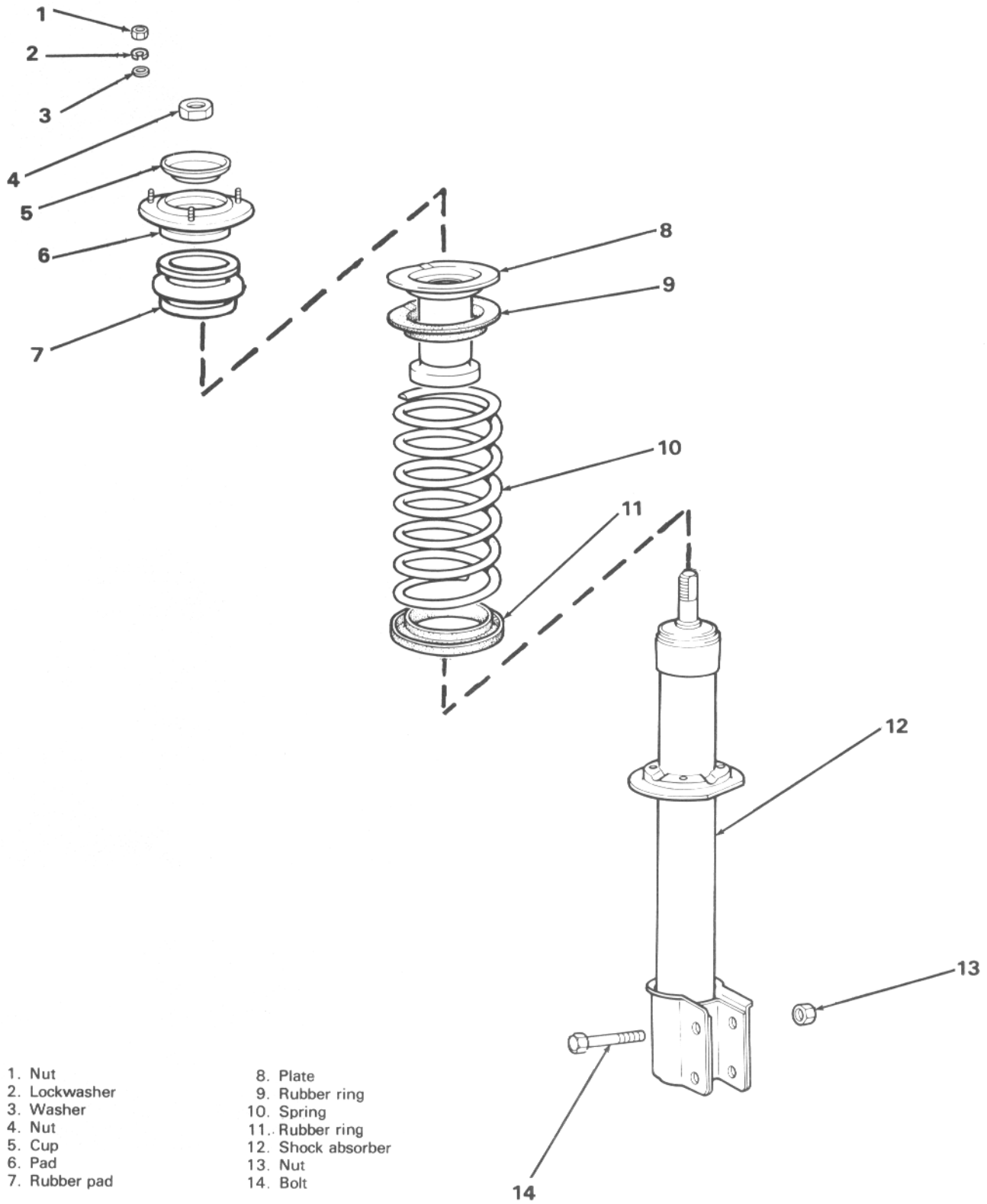
COIL SPRINGS

REMOVAL AND INSTALLATION

Set up strut assembly (1) in coil spring compressor A.74277 (2).

1. Strut assembly 2. Tool A.74277



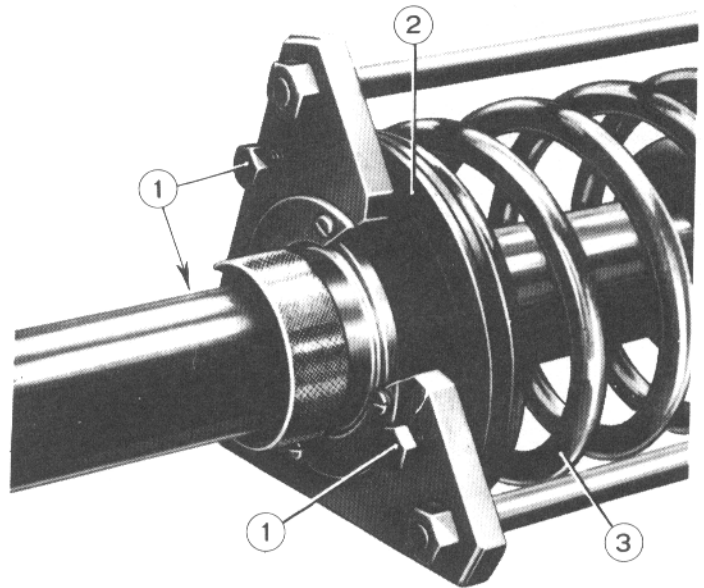


EXPLODED VIEW OF STRUT ASSEMBLY

Tighten three spring plate bolts (1) until they contact spring plate (2) on strut assembly.

Crank tool A.74277 until spring (3) is compressed about one inch.

1. Spring plate bolts 2. Spring plate 3. Spring

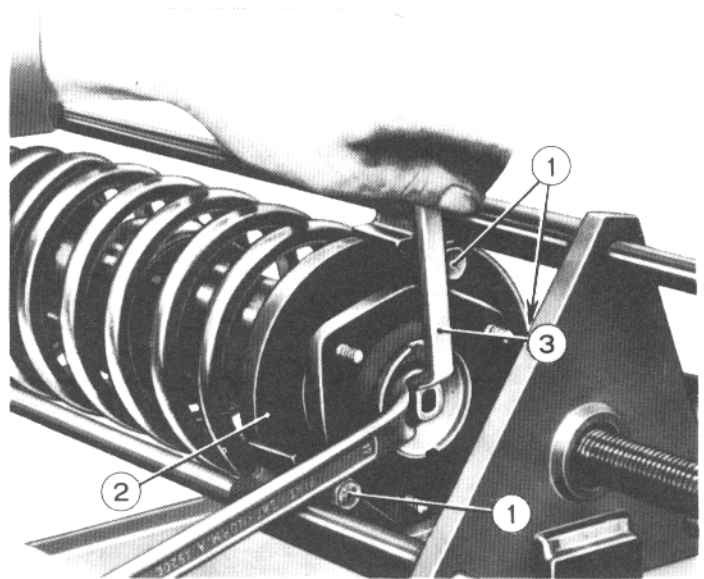


Using a shank wrench (3) to hold shock absorber stud, remove nut holding support to shock absorber.

Carefully uncrank tool A.74277 until spring is fully relaxed. Remove strut assembly from tool A.74277 and separate parts.

To install coil spring, reverse removal procedure. Torque nut to 43 ft. lbs. (6 kgm).

1. Spring plate bolts 2. Spring plate 3. Shank wrench

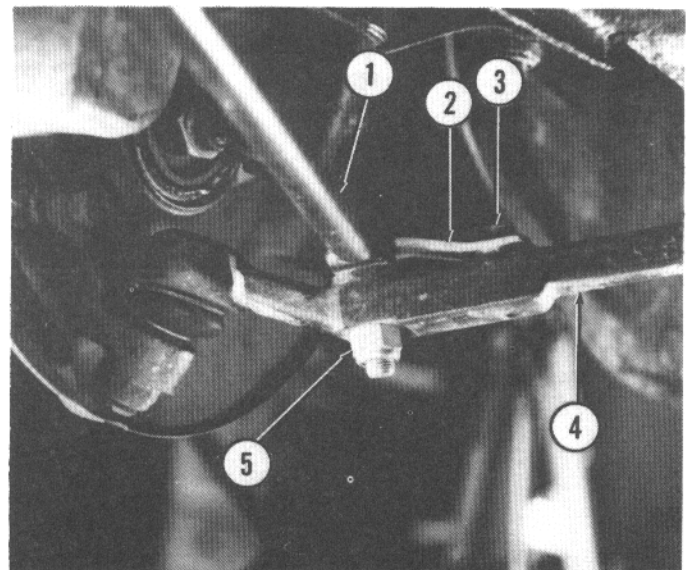


FRONT STRUT BAR

REMOVAL AND INSTALLATION

Remove nut (5), two bolts (3) and plate (2) attaching strut bar (1) to control arm (4).

1. Strut bar 2. Plate 3. Bolt 4. Control arm 5. Nut

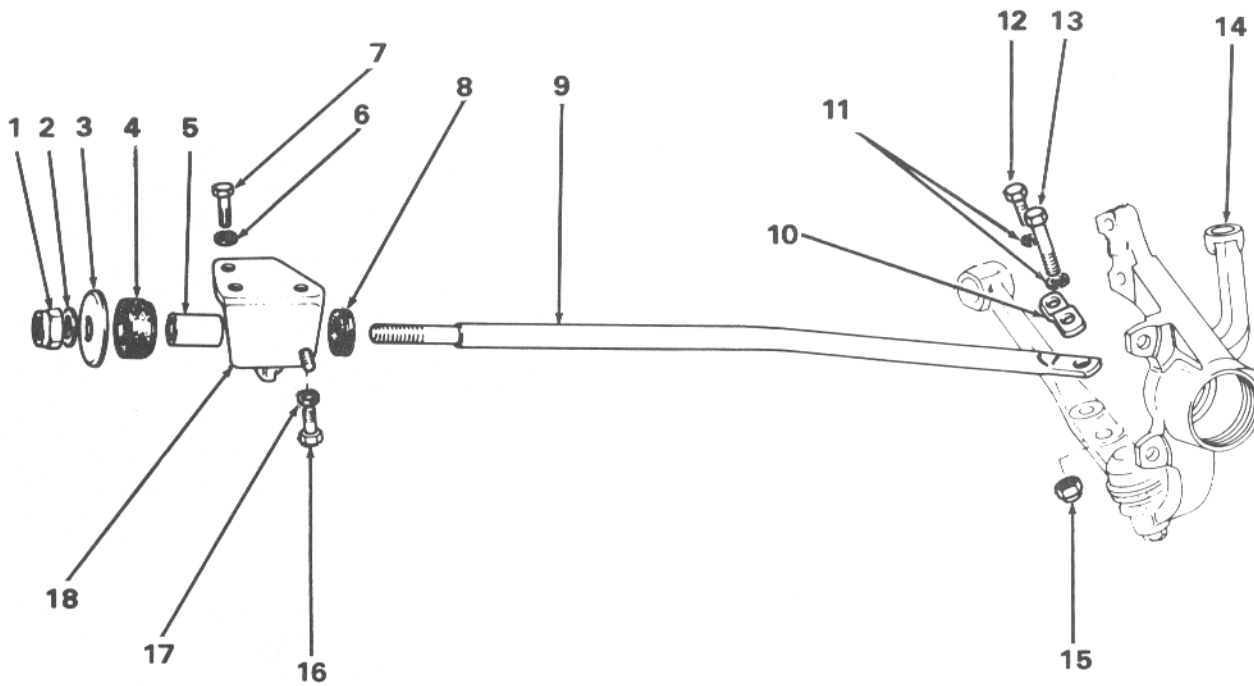
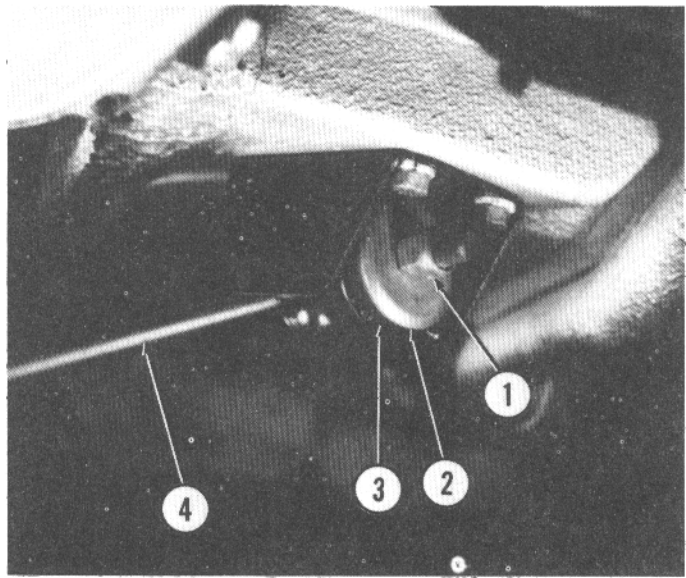


Remove nut (1), outer washer (2) and rubber grommet (3) from end of strut bar (4).

Remove strut from vehicle.

Install in reverse order. Torque nuts and bolts to specifications. Check wheel alignment.

1. Nut 2. Washer 3. Rubber grommet 4. Strut bar



- 1. Nut
- 2. Washer
- 3. Cup
- 4. Rubber pad
- 5. Spacer

- 6. Lockwasher
- 7. Bolt
- 8. Rubber ring
- 9. Strut bar
- 10. Lock plate

- 11. Lockwasher
- 12. Bolt
- 13. Bolt
- 14. Pillar

- 15. Nut
- 16. Bolt
- 17. Washer
- 18. Support

EXPLODED VIEW OF STRUT BAR ATTACHMENTS TO BODY AND CONTROL ARM